

# NetBotz Scalable Multi-vendor Rack Access

\*with HID technology

## Scalability

- Monitor up to 26 doors from one appliance
- Mass configure up to 130 doors on 5 NetBotz appliances using Advanced View user interface

## Availability

- Proximity card access: Restrict equipment access to authorized people through proximity card interaction
- User access scheduling: Restrict equipment access to specific times for each configured user
- Alarm beacon: Visual indication of access violation or environmental issue
- Alert Notification: Identify problematic trends before they escalate or export the data log for analysis
- Event logging: Pinpoint the timing and sequence of events leading up to an incident by using the integrated audit trail

## Manageability

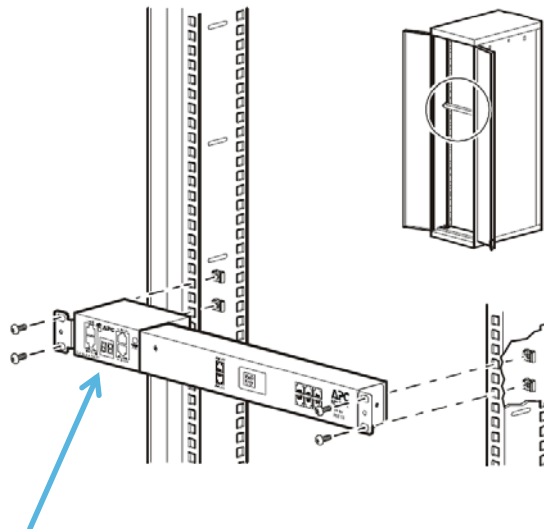
- Building access integration: Use existing HID-based proximity card and authenticate from a RADIUS server
- Master key override: Override electronic access with a hard key for power outages and maintenance
- Forced entry alarm: Alarm administrators based on a forced entry into a rack
- One-time access schedule: Configure the rack to be unlocked for a scheduled time period for maintenance
- Rack mounting: Includes horizontal, vertical and tool-less mount

## Protection

- Dual authentication and audit trail: Integrate with NetBotz surveillance for visual and proximity card identification
- Administrative access: Full access and read-only levels available
- Read-only access: Share access without risking unauthorized configuration changes
- Password security: User-selectable password protection for Web interface
- Alert notification: Configure alert destination for access and device alarms

APC's scalable, multi-vendor rack access pod is fully integrated with the NetBotz solution and protects APC NetShelter® SX enclosures as well as other name brands from unauthorized access. The integration brings a rich user interface through NetBotz Advance View, allowing better functionality and mass configuration directly from the management software. This integrated, IP-based system uses electronic locks to secure enclosures with access granted through HIP-based proximity cards and Advanced View. Administrators can easily configure access for individual employees, schedule access to equipment for maintenance purposes, and view audit trails. Easy mounting options include traditional rack mounting or tool-less zero-U mounting.

**Seamless integration with NetBotz provides remote and local access and authentication for APC NetShelter® SX and Chatsworth GlobalFrame™ enclosures**



Small profile

**NetBotz Integrated Rack Access is ideal for:**

**Racks that contain sensitive equipment and information**

**Racks in remote or unmanned locations**

**Recording detailed access logs such as who accesses what and when**

**Monitoring the lock and door status of racks to ensure that all racks are secured**



## Technical Specifications

Components	Rack Access Pod, 2 Proximity Card Reader Handles, 2 RJ-45 Style Door switch kits, hardware, 2 HID cards
Accessibility	Remote Access, Proximity Card, Master Key Override, User Access Scheduling
Rack Mounting	0U or 1U; (Basement mounting in an APC NetShelter™ SX rack)
Enclosure Compatibility	APC NetShelter® SX, Chatsworth GlobalFrame™
Alert Notification	Email, E-mail, and Visual Beacon
Mass Configuration	Up to 130 doors with 5 NetBotz appliances
Management Solutions	InfraStruxure™ Central
Appliance Ports	2 A-Link Ports, 2 Door Lock Port (handle), 2 Door Switch (switch)
Power	Power over A-Link
Proximity Card Compatibility	HID Proximity Cards (HID 125kHz proximity technology) Card formats: H10301, H10302, H10304, Corp1000
User Interface	NetBotz Advanced View
Power Supply Recommendation Room Monitor 455	2 Maximum Rack Access Pods can be monitored per appliance; One AP9505i power supply required per 1 or 2 rack access pods
Power Supply Recommendation Rack Monitor 550	13 Maximum Rack Access Pods can be monitored per appliance; One AP9505i power supply required for the third attached pod plus an additional power supply for each additional third pod



Front



Handles



Back



HID Proximity Cards